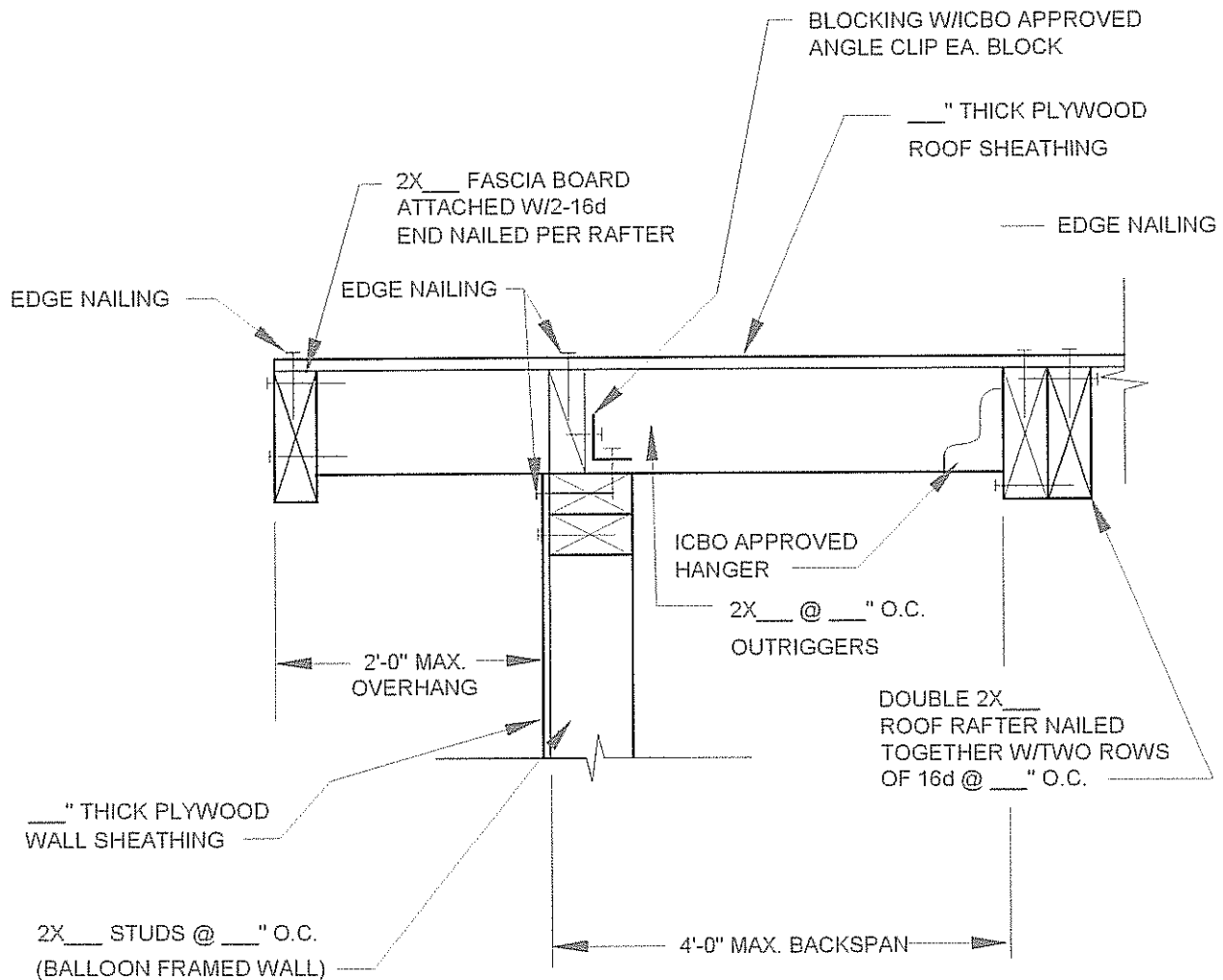


NOTE: MIN. EDGE NAILING = 8d @ 6" O.C.
 MIN. FIELD NAILING = 8d @ 12" O.C.

ALL INFORMATION SHOWN ABOVE IS MINIMUM REQUIREMENTS
 FOR INFORMATION NOT SHOWN REFER TO
 THE U.B.C. "CONVENTIONAL CONSTRUCTION PROVISIONS".

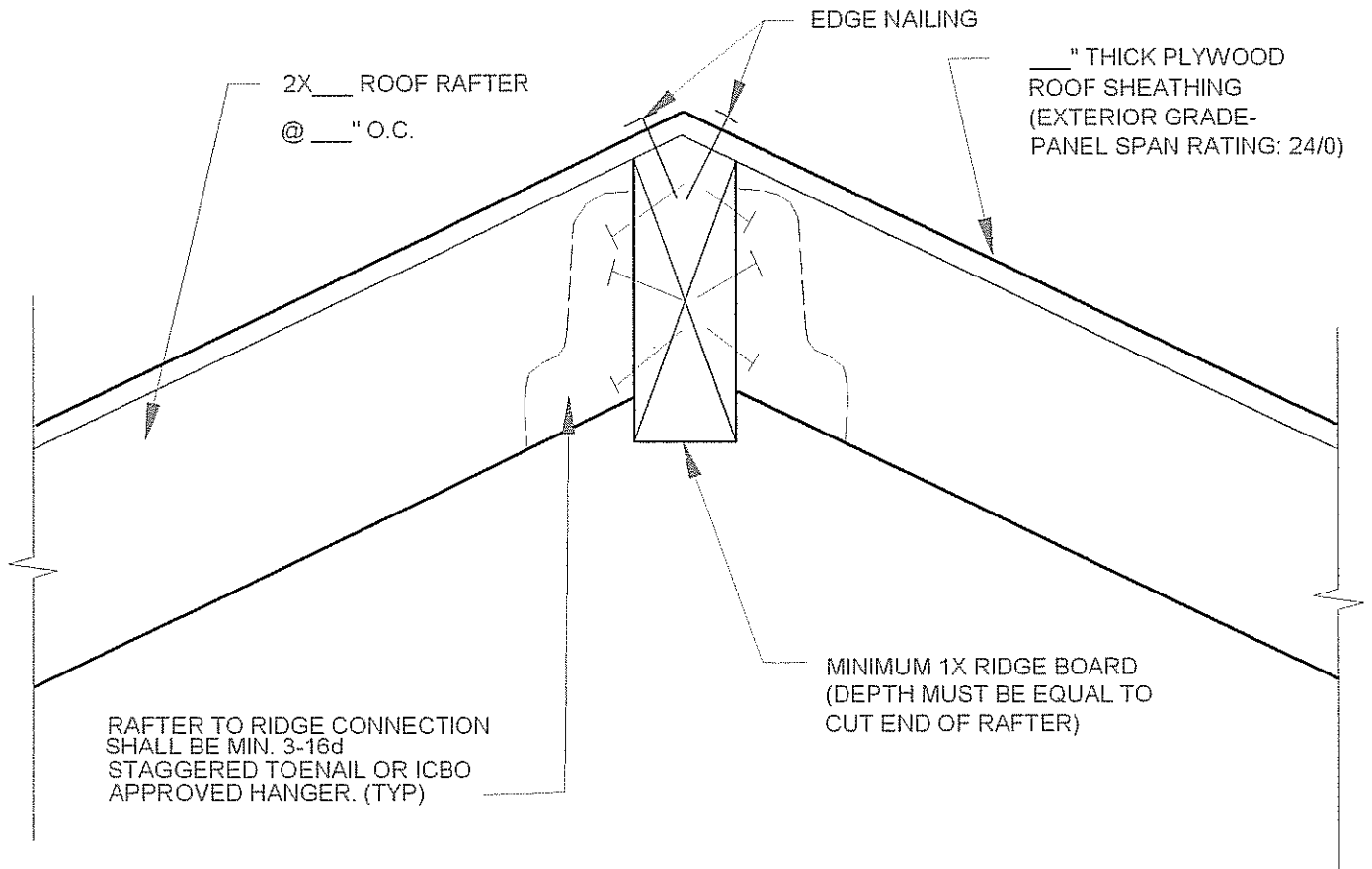
**ROOF RAFTERS AT EXTERIOR BEARING WALL
 (CEILING JOIST PARALLEL TO RAFTERS)**



*NOTE: USE 4'-0" BACKSPAN FOR
 2'-0" MAX. OVERHANGS
 USE 2'-0" BACKSPAN FOR
 1'-0" MAX. OVERHANGS
 ALL INFORMATION SHOWN ABOVE IS MINIMUM REQUIREMENTS

ROOF RAFTERS AT EXTERIOR NON-BEARING WALL

ROOF SLOPE: MIN. 3:12 PITCH



FOR INFORMATION NOT SHOWN REFER TO
THE U.B.C. "CONVENTIONAL CONSTRUCTION PROVISIONS"
ALL INFORMATION SHOWN ABOVE IS MINIMUM REQUIREMENTS

ROOF RAFTERS AT RIDGE